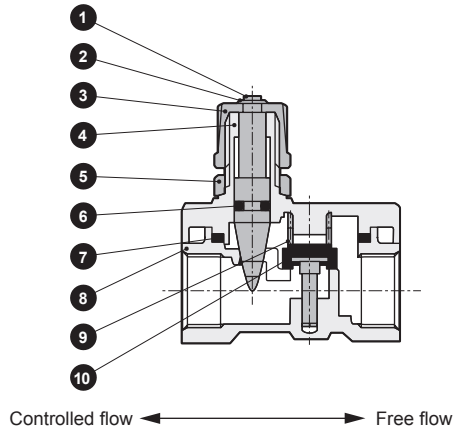


Internal structure and parts list



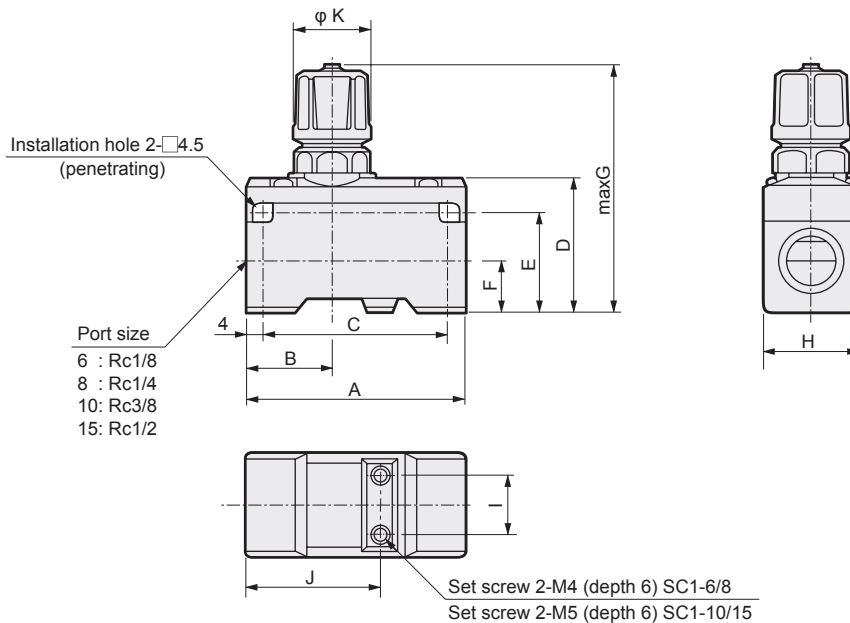
No.	Parts name	Material
1	Needle	Brass
2	E snap ring	Steel
3	Knob	Zinc alloy die casting
4	Needle guide	Aluminum die casting
5	Lock nut	Zinc alloy die casting
6	O-ring	Nitrile rubber (fluoro rubber)
7	Gasket	Nitrile rubber (fluoro rubber)
8	Body	Aluminum die casting
9	Spring	Stainless steel
10	Valve seat	Brass/nitrile rubber (brass/fluoro rubber)

Note 1: () : Heat resistance/ozone proof specifications

Dimensions



● SC1



Model no.	A	B	C	D	E	F	G	H	I	J	K
SC1-6-8	50	20	42	31	23	11	67	22	12	31	19
SC1-10-15	63	21	55	40	31	15	83	30	18	37	23

⚠ Safety precautions

- Vibration noise may occur when using in low pressure range (0.05 MPa or less), when the piping diameter around the unit is very small, when the cylinder speed is fast or when the differential pressure is small.
- When tightening, do not tighten needle or lock nut section excessively.
(Tightening torque approx. 3 N·m)