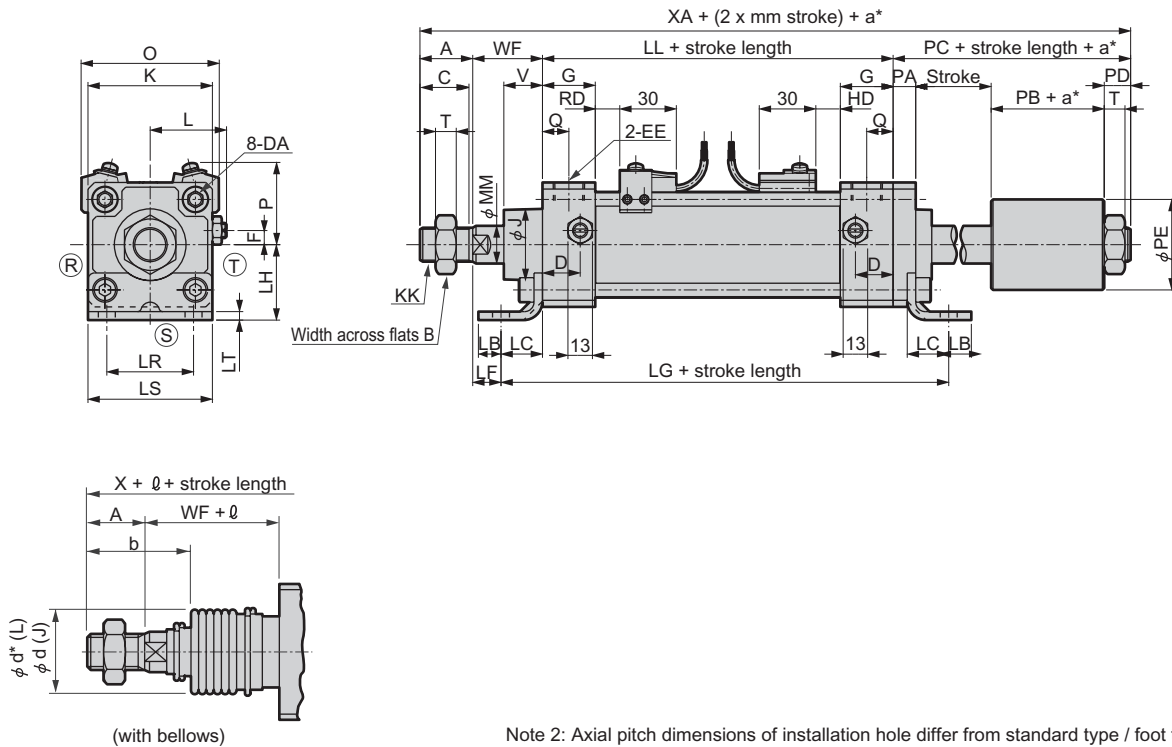


### Dimensions



- Stroke adjustable type



Note 2: Axial pitch dimensions of installation hole differ from standard type / foot type mounting style is used.

Note 3: Refer to page 597 for the projecting dimensions of T2YD switch.

Note 4: Refer to pages 598, 599 for accessory dimensions.

\*a is adjustable stroke length.

Note 1: (R)(S)(T) indicates a cushion needle position.

Symbol																										
Bore size (mm)	A	B	C	D	DA	EE	F	G	J	K	KK	L	LL	MM	PA	PB	PC	PD	PE	PF	Q	T	V	WF	XA	XF
$\phi 40$	22	22	20	18	M8	Rc1/4	7.5	26	31	57	M14 x 1.5	38 to 39.5	93	16	12	29	52	11	40	6	13	8	18.5	33.5	200.5	55.5
$\phi 50$	28	27	26	20	M8	Rc3/8	0	28	38	66	M18 x 1.5	41 to 43.5	101	20	12	35	61	14	48	6	14	11	20.5	37	227	65
$\phi 63$	28	27	26	22	M8	Rc3/8	0	30	38	80	M18 x 1.5	47.5 to 50	105	20	16	31	61	14	48	6	15	11	21	35	229	63
$\phi 80$	36	32	34	26	M12	Rc1/2	0	34	43	98	M22 x 1.5	56 to 59	116	25	19	33	68	16	60	10	17	13	23.5	48	268	84
$\phi 100$	45	41	43	28	M12	Rc1/2	0	36	51	118	M26 x 1.5	66 to 69	128	30	19	50	90	21	70	10	18	16	32	53	316	98

Symbol	With switch							Installation dimensions								With bellows													
	O	P	T0, T5, T2, T3	T1, T2Y, T3Y, T2YFM, T3YFM	T8	RD	HD	RD	LD	LF	LG	LH	LR	LS	LT	A	X	b	d	d*	50 or less	50 to 100	100 to 150	150 to 200	200 to 300	300 to 400	400 to 500	Over 500	
$\phi 40$	66	41.5	11	11	10	10	5	10	19.5	9	14	140.8	40	40	57	3.2	22	150.5	41	40	40	25.5	41.5	58.5	75.5	108.5	141.5	174.5	(stroke length/3.0) + 8
$\phi 50$	73	43	13	13	12	12	7	12	22	9	15	152.5	40	46	66	4.5	28	168.5	47	47	48	22	36	49	63	90	119	146	(stroke length/3.6) + 7.5
$\phi 63$	85	47	13	13	12	12	7	12	30	11	5	176.5	50	60	80	4.5	28	171	45	47	48	22	36	49	63	90	119	146	(stroke length/3.6) + 7.5
$\phi 80$	105	57	14.5	14.5	13.5	13.5	8.5	14	37	14	11	203	60	74	98	6.0	36	203.5	58.5	53	55	14	26	38	49	72	96	119	(stroke length/4.3) + 2.5
$\phi 100$	121	63	18.5	18.5	17.5	17.5	12.5	21	31	14	12	203	67	80	118	6.0	45	230	69.5	61	65	20	32	42	53	76	98	120	(stroke length/4.5) + 9

- Each mounting style installation dimension is same as SCA2 (standard). Refer to pages 449 to 455.

SCP*2
CMK2
CMA2
SCM
SCG
<b>SCA2</b>
SCS
CKV2
CA/OV2
SSD
CAT
MDC2
MVC
SMD2
MSD*
FC*
STK
ULK*
JSK/M2
JSG
JSC3
USSD
USC
JSB3
LMB
STG
STS/L
LCS
LCG
LCM
LCT
LCY
STR2
UCA2
HCM
HCA
SRL2
SRG
SRM
SRT
MRL2
MRG2
SM-25
CAC3
UCAC
RCC2
MFC
SHC
GLC
Ending

Medium bore size cylinder  
Standard type