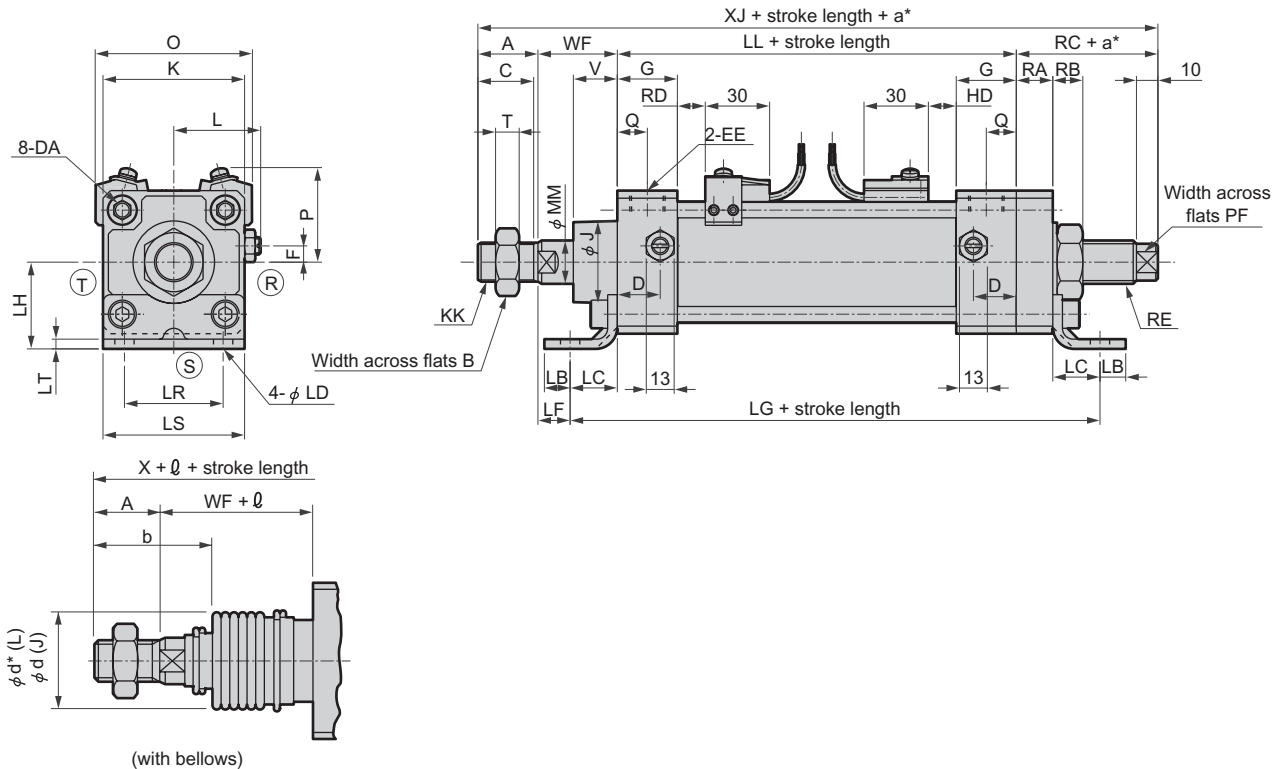


Dimensions



- Stroke adjustable type (retracted)



Note 1: (R)(S)(T) indicates a cushion needle position.

* a is adjustable stroke length.

Symbol																									
Bore size (mm)	A	B	C	D	DA	EE	F	G	J	K	KK	L	LL	MM	Q	RA	RB	RC	RE	PF	T	V	WF	XF	XJ
φ 40	22	22	20	18	M8	Rc1/4	7.5	26	31	57	M14 x 1.5	38 to 39.5	93	16	13	14	11	35	M16 x 1.5	11	8	18.5	33.5	55.5	183.5
φ 50	28	27	26	20	M8	Rc3/8	0	28	38	66	M18 x 1.5	41 to 43.5	101	20	14	17	14	41	M20 x 1.5	14	11	20.5	37	65	207
φ 63	28	27	26	22	M8	Rc3/8	0	30	38	80	M18 x 1.5	47.5 to 50	105	20	15	17	14	41	M20 x 1.5	14	11	21	35	63	209
φ 80	36	32	34	26	M12	Rc1/2	0	34	43	98	M22 x 1.5	56 to 59	116	25	17	20	16	46	M24 x 1.5	17	13	23.5	48	84	246
φ 100	45	41	43	28	M12	Rc1/2	0	36	51	118	M26 x 1.5	66 to 69	128	30	18	20	16	46	M24 x 1.5	17	16	32	53	98	272

Symbol	With switch								Installation dimensions								With bellows												
	O	P	T0, T5, T2, T3		T1, T2Y, T3Y, T2YFM, T3YFM		T8	LB	LC	LD	LF	LG	LH	LR	LS	LT	A	X	b	d	d*	l							
			RD	HD	RD	HD																RD/HD	50 or less	50 to 100	100 to 150	150 to 200	200 to 300	300 to 400	400 to 500
φ 40	66	41.5	11	11	10	10	5	10	19.5	9	14	146	40	40	57	3.2	22	150.5	41	40	40	25.5	41.5	58.5	75.5	108.5	141.5	174.5	(stroke length/3.0) + 8
φ 50	73	43	13	13	12	12	7	12	22	9	15	162	40	46	66	4.5	28	168.5	47	47	48	22	36	49	63	90	119	146	(stroke length/3.6) + 7.5
φ 63	85	47	13	13	12	12	7	12	30	11	5	182	50	60	80	4.5	28	171	45	47	48	22	36	49	63	90	119	146	(stroke length/3.6) + 7.5
φ 80	105	57	14.5	14.5	13.5	13.5	8.5	14	37	14	11	210	60	74	98	6.0	36	203.5	58.5	53	55	14	26	38	49	72	96	119	(stroke length/4.3) + 2.5
φ 100	121	63	18.5	18.5	17.5	17.5	12.5	21	31	14	12	210	67	80	118	6.0	45	230	69.5	61	65	20	32	42	53	76	98	120	(stroke length/4.5) + 9

Note 2: Axial pitch dimensions of the installation hole differ from standard if foot type mounting method is used.

Note 3: Refer to page 597 for the projecting dimensions of T2YD switch.

Note 4: Refer to pages 598, 599 for accessory dimensions.

Each mounting style installation dimension is same as SCA2 (standard). Refer to pages 450 to 455.

SCP*2
CMK2
CMA2
SCM
SCG
SCA2
SCS
CKV2
CA/OV2
SSD
CAT
MDC2
MVC
SMD2
MSD*
FC*
STK
ULK*
JSK/M2
JSG
JSC3
USSD
USC
JSB3
LMB
STG
STS/L
LCS
LCG
LCM
LCT
LCY
STR2
UCA2
HCM
HCA
SRL2
SRG
SRM
SRT
MRL2
MRG2
SM-25
CAC3
UCAC
RCC2
MFC
SHC
GLC
Ending

Medium bore size cylinder
Standard type